



HYDRAULIC DOUGH DIVIDER



Hydraulic Dough Divider, 20 Piece (3.5—28 oz), Divides Up to 30 Lbs. of Dough, Aluminum Cover with Locking Handle, Stainless Steel Blades & Construction, Casters, 2 HP, 208-240V/60/3P/8A NEMA L15-20P



PROJECT _____
 ITEM NO. _____
 NOTES _____

MODEL NUMBER: **D20**



FEATURES

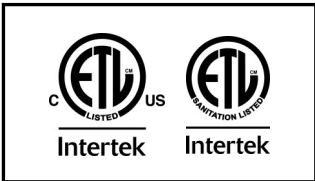
- Automatically Divides Dough into 20 Portions
- Easy to Operate
- 2 HP Motor

CONSTRUCTION

- Stainless Steel Construction
- Stainless Steel Cutting Blades
- Swivel Casters (2 locking)
- Cast Aluminum Cover with Locking Handle
-

WARRANTY

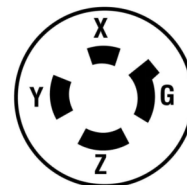
- One Year Labor & Two Year Parts



Model	Weight	Overall Dimensions			Portions	Portion Weight	
		W	D	H		Min.	Max.
D20	660 (300)	24" (610)	27 1/2" (699)	43 3/8" (1102)	20	7 (200)	28 (800)

Model	Electrical System			
	Volts	Amps	Phases	NEMA
D20	208-240	8	3	L15-20

NEMA L15-20

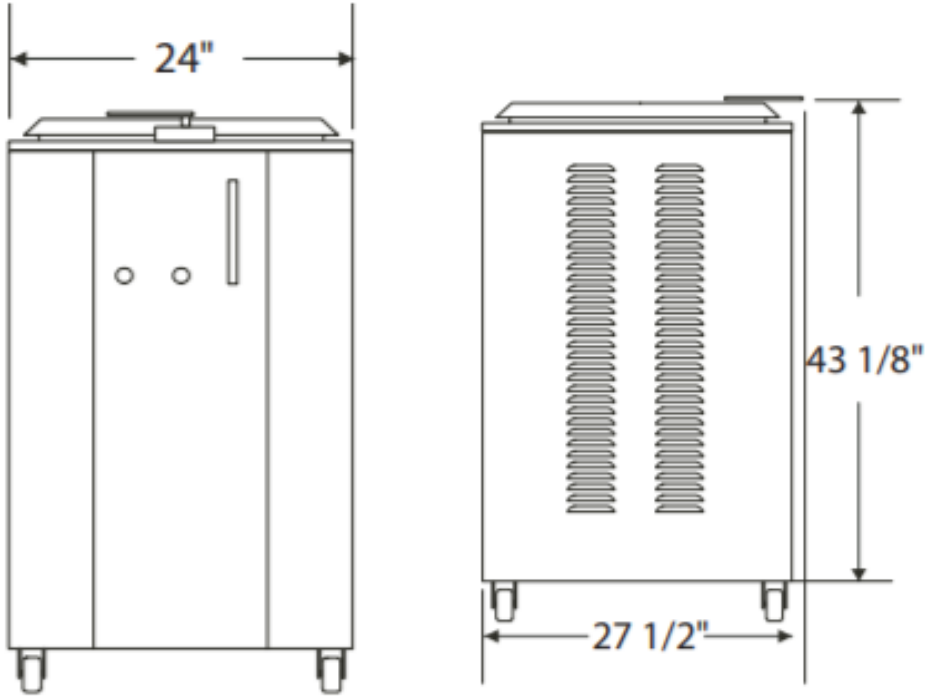




PROJECT _____
ITEM NO. _____
NOTES _____

MODEL NUMBER: **D20**

DRAWINGS



Due to periodic changes in designs, methods, procedures, policies and regulations, the specifications contained in this sheet are subject to change without notice. While Doyon exercises good faith efforts to provide information that is accurate, we are not responsible for errors or omissions in information provided or conclusions reached as a result of using these specifications. By using the information provided, the user assumes all risks in connection with such use.

SPECIFICATIONS SUBJECT TO CHANGE WITHOUT NOTICE

KCL & REVIT DRAWINGS UPON REQUEST

REVISION B | 5/27/2021

Follow Us



Doyon

5600 13th Street, Menominee, MI 49858

906.863.4401 | 800.338.9886 | www.doyon.qc.ca

